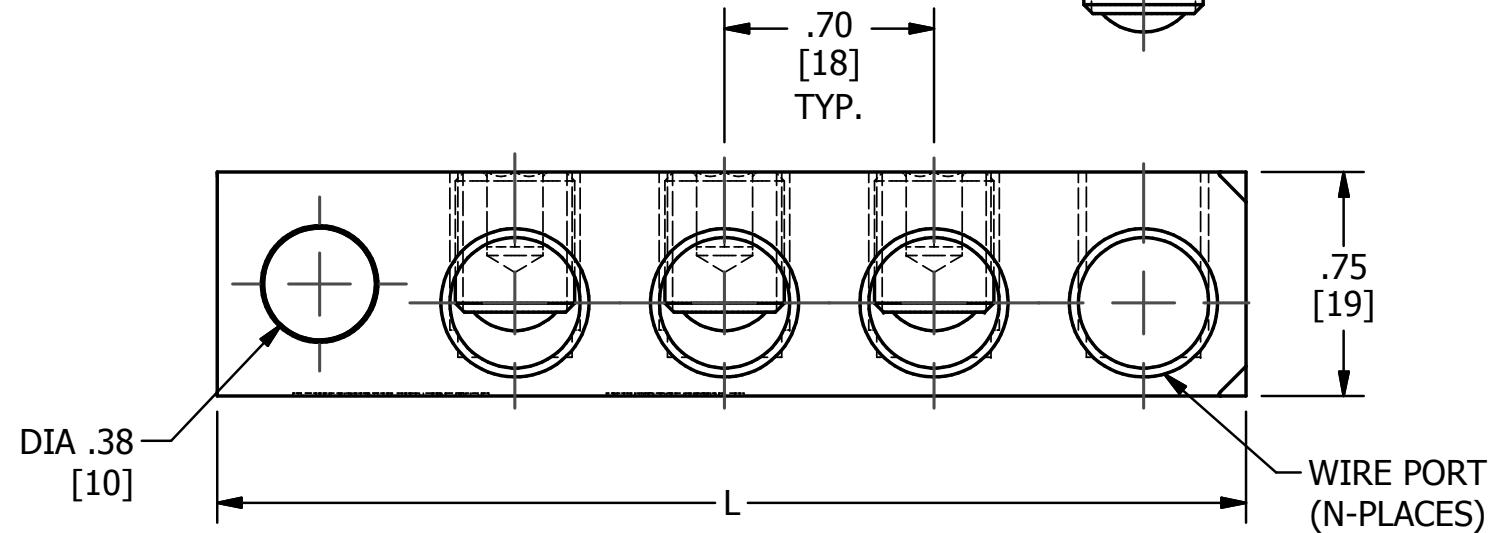
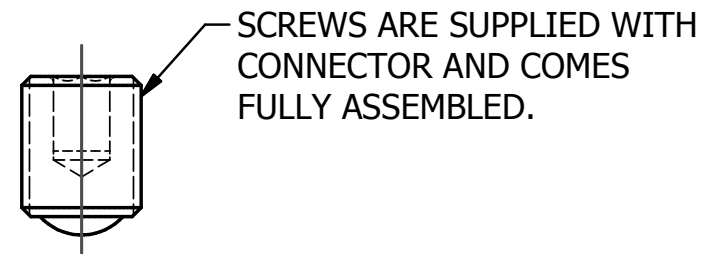
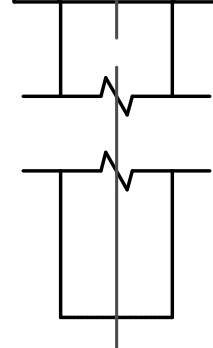
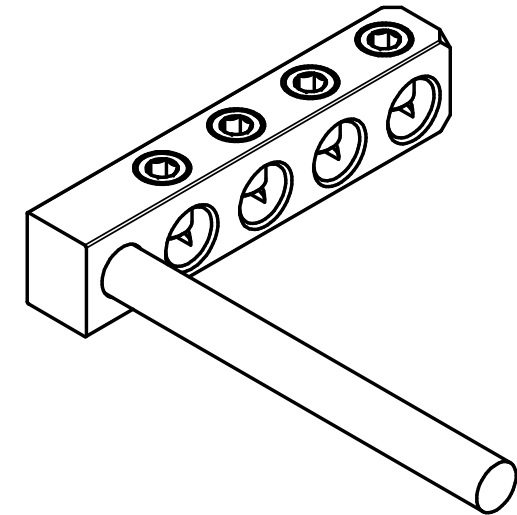
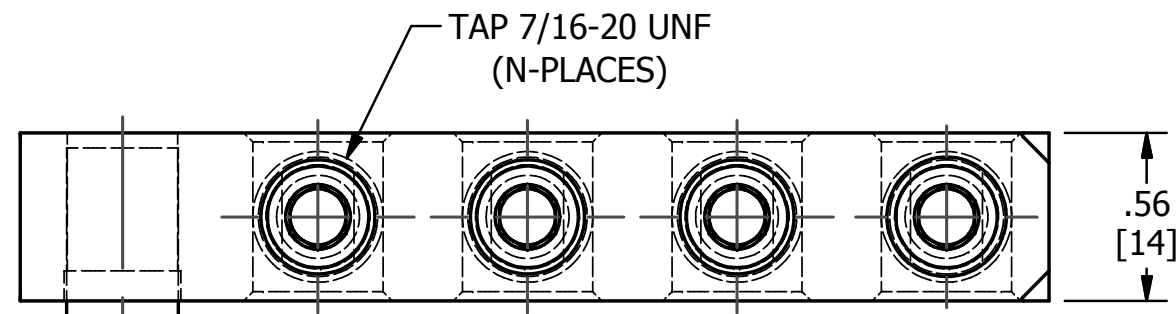
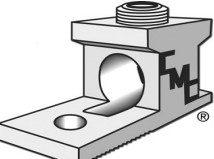


S.NO	CATALOG NUMBER	L	N
1	NP2-1/0I	2.07 [52]	2
2	NP3-1/0I	2.75 [70]	3
3	NP4-1/0I	3.45 [88]	4



CONDUCTOR RANGE: #1/0 AWG to #14 AWG
 FINISH: CLEAR PLATE
 MATERIAL: ALUMINUM

					TO ORDER CMC PRODUCTS CALL 1-513-860-4455	DRAWN BY: TS 09-25-19	NAME OF PART: PIN CONNECTOR ASSEMBLY	CAT. NO.: SEE TABLE
					FOR PRODUCT INFO: http://www.cmclugs.com	CHECKED BY:	DWG NO: C58700900I-S (CHARTED)	A
A	NEW DRAWING CREATED		09-25-19	TS	DRAWING NOT TO SCALE		SHEET NO: 1 OF 1	
REV.	DESCRIPTION	ECN	DATE	INIT.				

THIS INFORMATION IS PROPRIETARY TO CONNECTOR MFG. CO. AND IS NOT TO BE DISCLOSED OUTSIDE OF CONNECTOR MFG. CO. WITHOUT A CONFIDENTIALITY AGREEMENT



CONNECTOR MANUFACTURING CO.

HAMILTON, OHIO